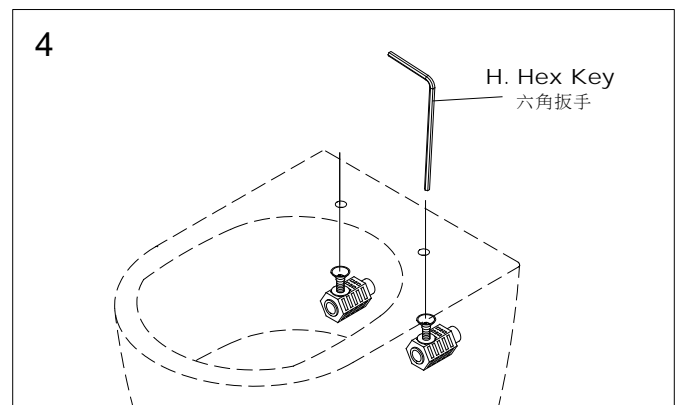
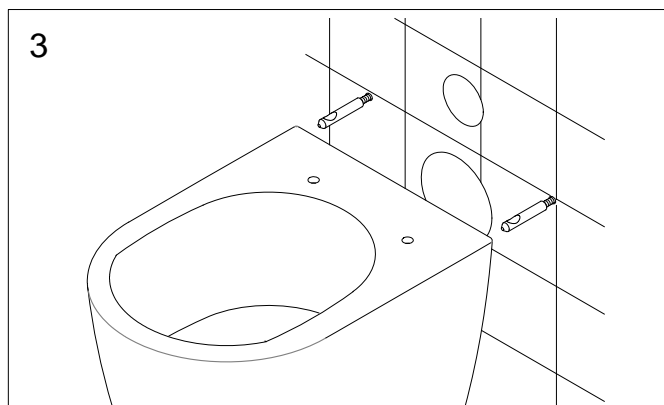
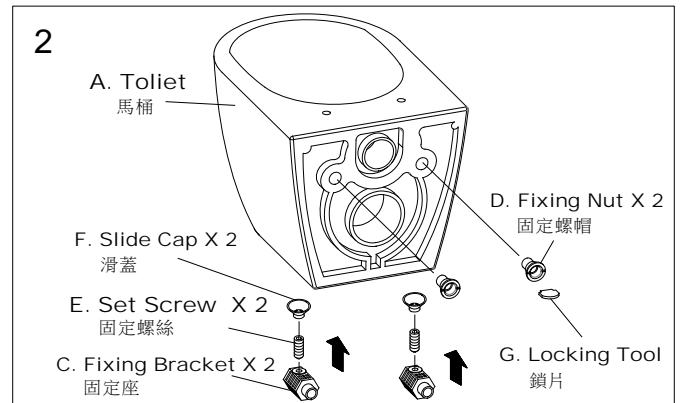
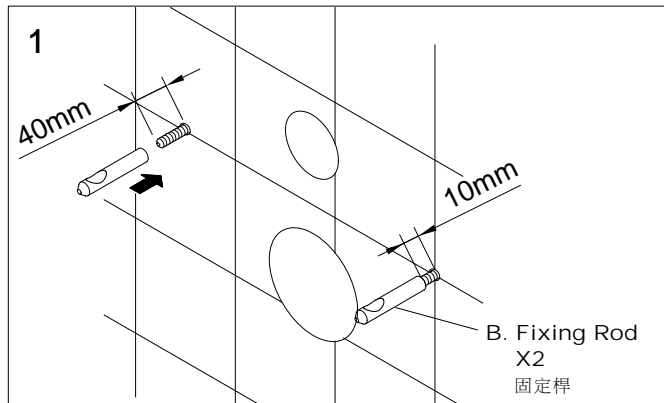


INSTALLATION INSTRUCTIONS

WALL-HUNG TOILET

壁掛式馬桶本體安裝說明



1. Available length of threaded rod from finished wall is 40mm, please cut the extra length before installing. Fixing Rod will be screwed to the threaded rod till 10mm from finished wall. NOTICE: The recess of Fixing Rod should be faced upward.

螺桿裝入壁面留40mm,將固定桿鎖入牆壁上的螺桿留10mm. 注意: 固定桿凹槽需朝上

2. Assemble the Fixing Bracket, Set Screw, and Slide Cap together, put the bracket kits from the bottom of Toilet (NOTICE: the Set Screw and Slide Cap should be faced upward), and then screw the Fixing Nuts with Locking Tool for assembling bracket kits securely to Toilet. **△ NOTICE : Do not overtighten the Fixing Nut to prevent break.**

先將滑蓋鎖入固定螺絲再鎖到固定座內,將固定座由馬桶底部放入,固定螺帽由馬桶後面安裝孔,再與固定座對鎖,確保固定座的螺紋孔是向上,再用鎖片將固定座與固定螺帽鎖緊. **△注意: 零件D.固定螺帽不可以鎖太緊,到位即可,否則會斷裂.**

3. Slide the Toilet which has been assembled with two bracket kits to Fixing Rods.

將已鎖好二側固定螺帽的馬桶裝入牆壁上的固定桿內.

4. Tighten the Set Screw with provided Hex Key to fix Toilet securely.

用六角扳手將固定螺絲鎖到固定座的螺紋孔內鎖緊.

△ NOTICE : Do not use fixing kits which haven't been offered officially. We won't take the responsibility if the toilet has been damaged by the unofficial fixing kits.

注意: 請勿使用非我公司提供的零件包,如使用非我司零件導致馬桶破裂不予負責.

FIXING CONTENTS

組配件內容

